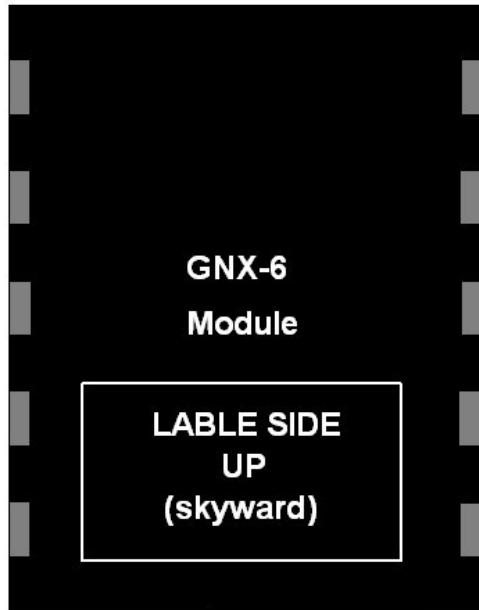


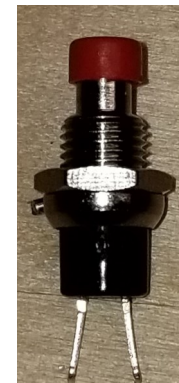
# GenX-6 Panic Button Installation Instructions

Panic Button must be depressed for at least 3 seconds to initiate



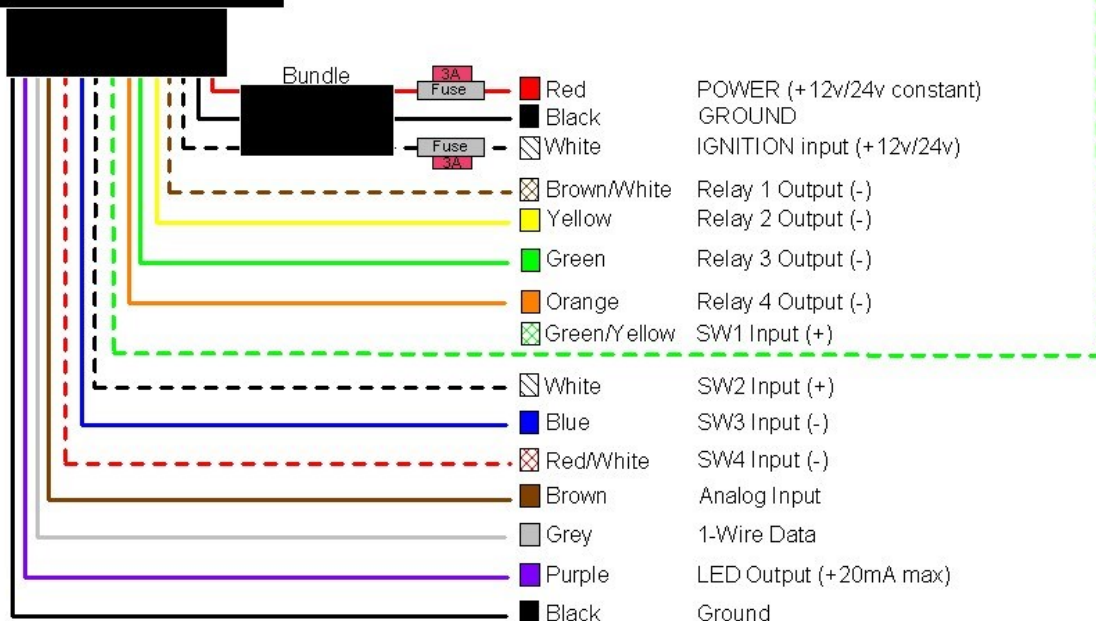
Attention: In addition to the Power, Ground and Ignition wires below (see bundle) needing to be connected, the Panic Button itself also needs to go to a 12V constant source and the Green/Yellow wire on Pin 18 of Power harness as shown here.

Panic Button



Green/Yellow wire (pin 18) on GNX to 1 of terminals on the Panic Button

Connect to 12V constant



Once installed, to test, go to the “Reports” section of the Rhino application and then into “Exceptions”. Once there choose your date range, driver and vehicle and lastly, under “Exception Type”, choose “panic button activated” and run your report to see your panic button activity.



For more detailed installation information, including pictures, go to: [www.rhinofleettracking.com/install](http://www.rhinofleettracking.com/install)



View your account at: <http://www.rhinofleettracking.com>