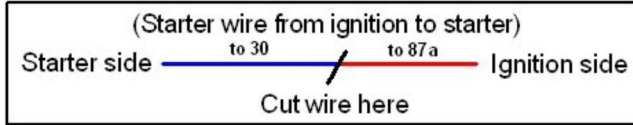
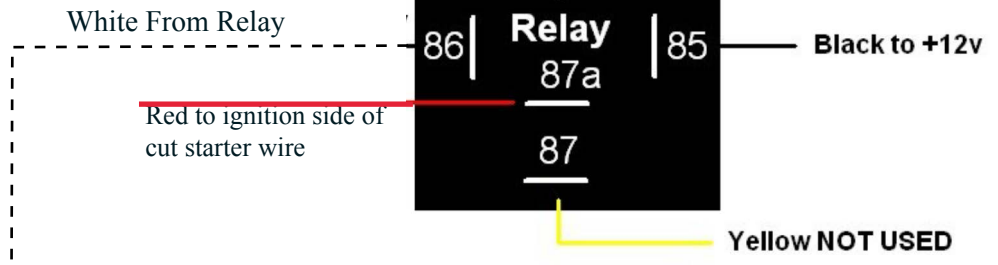
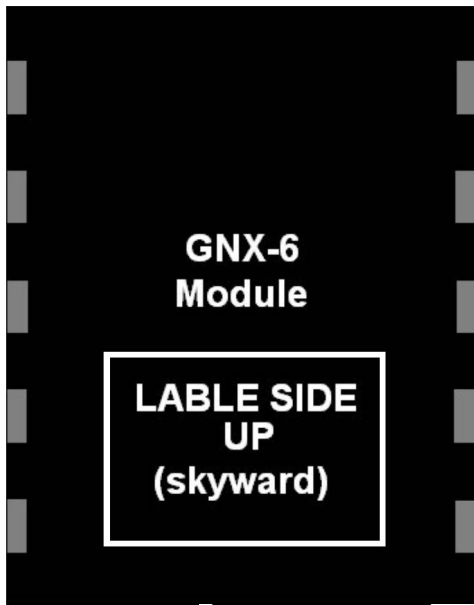


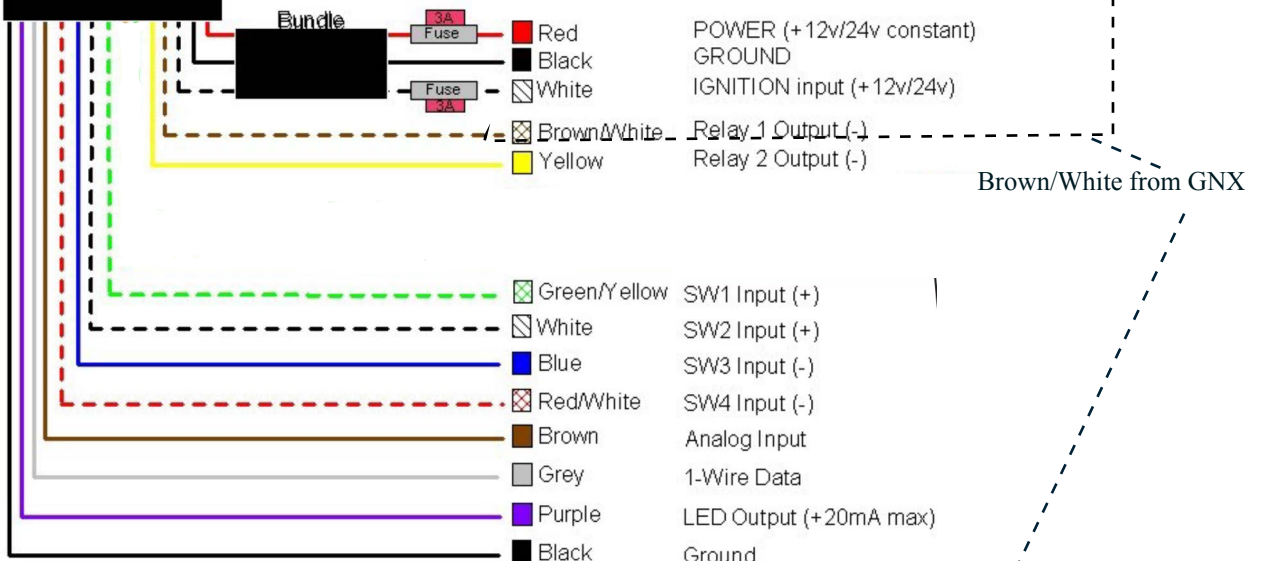
GenX5/6 Starter Interrupt Instructions



***SEE PG. 2 FOR PHOTOS**



*Relay plugs into wiring harness (they do come apart)
*White lines next to numbers in above diagram represent the orientation of the contacts that connect the relay to the wiring harness



Brown/White wire from GNX is the only wire pertinent to the starter interrupt install. For purpose of starter interrupt, ignore all other wires shown on this diagram, as they are used for other functions.

GenX5/6 Starter Interrupt Instructions

Please reference diagrams and photos for instructions below

Utilizing the Relay diagram, orient the Relay properly and wire Relay as per diagram shows: Yellow
- not used

Red - to ignition side of cut starter wire

Black - to +12V source

Blue - to starter side of cut starter wire

White - to Brown/White (Relay 1 Output) from GenX-5/6 wiring harness

The Brown/White wire from GenX-6 wiring harness is the only wire needed for Starter Interrupt installation

Images of Relay and its proper orientation

